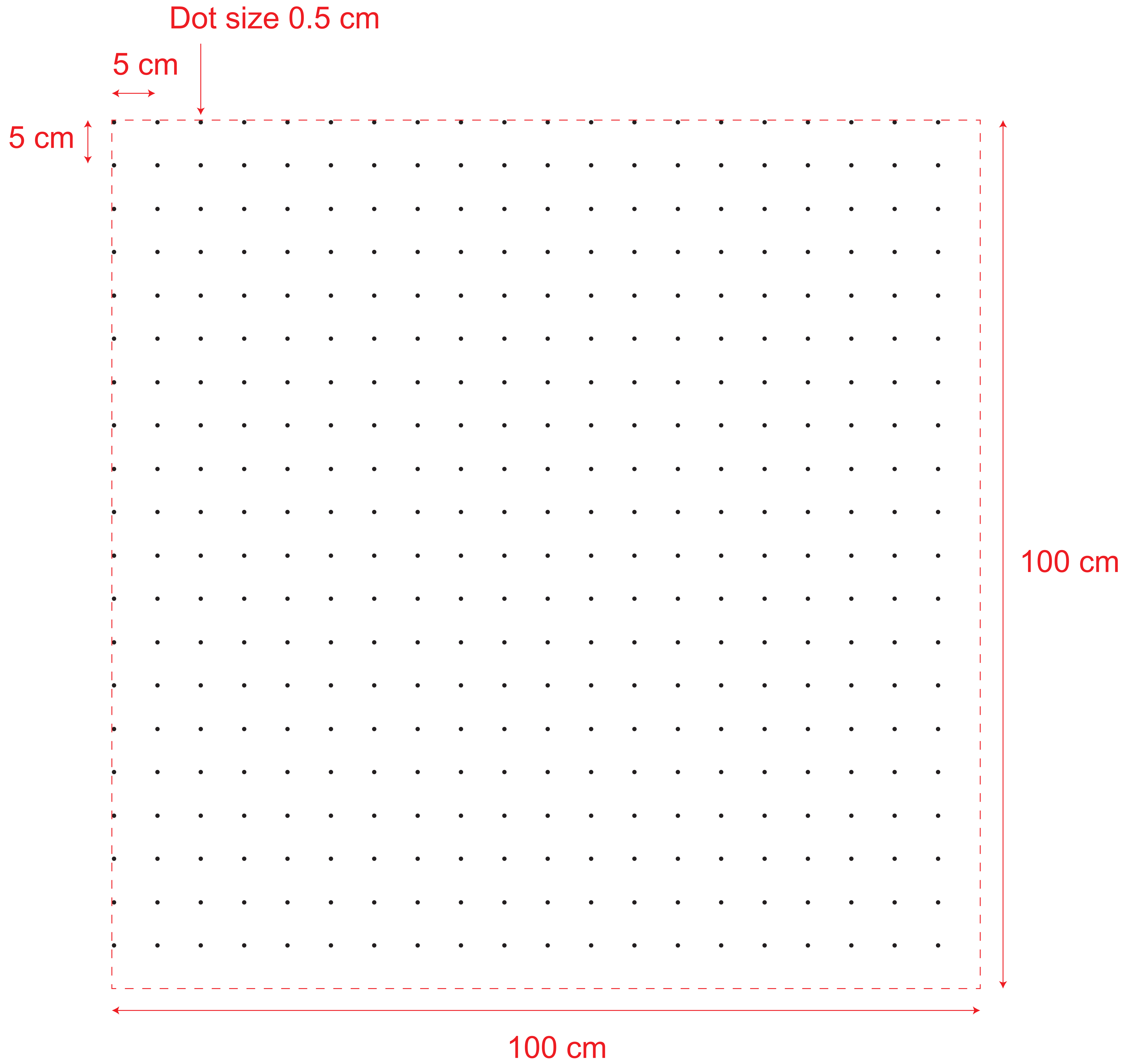


## **ANNEX 1 DECAL USE AT HANDS-ON-HOUSE IN HORTPARK**

This document features various bird-themed decals designed by the National Parks Board's (NParks) Design Division. These decals were applied to the glass windows of the Hands-on-House building in HortPark and helped mitigate bird-building collisions at the site. For more information, you may refer to the associated case study on page 21 of the Bird-Safe Building Guidelines. These designs may be freely used and/or modified.

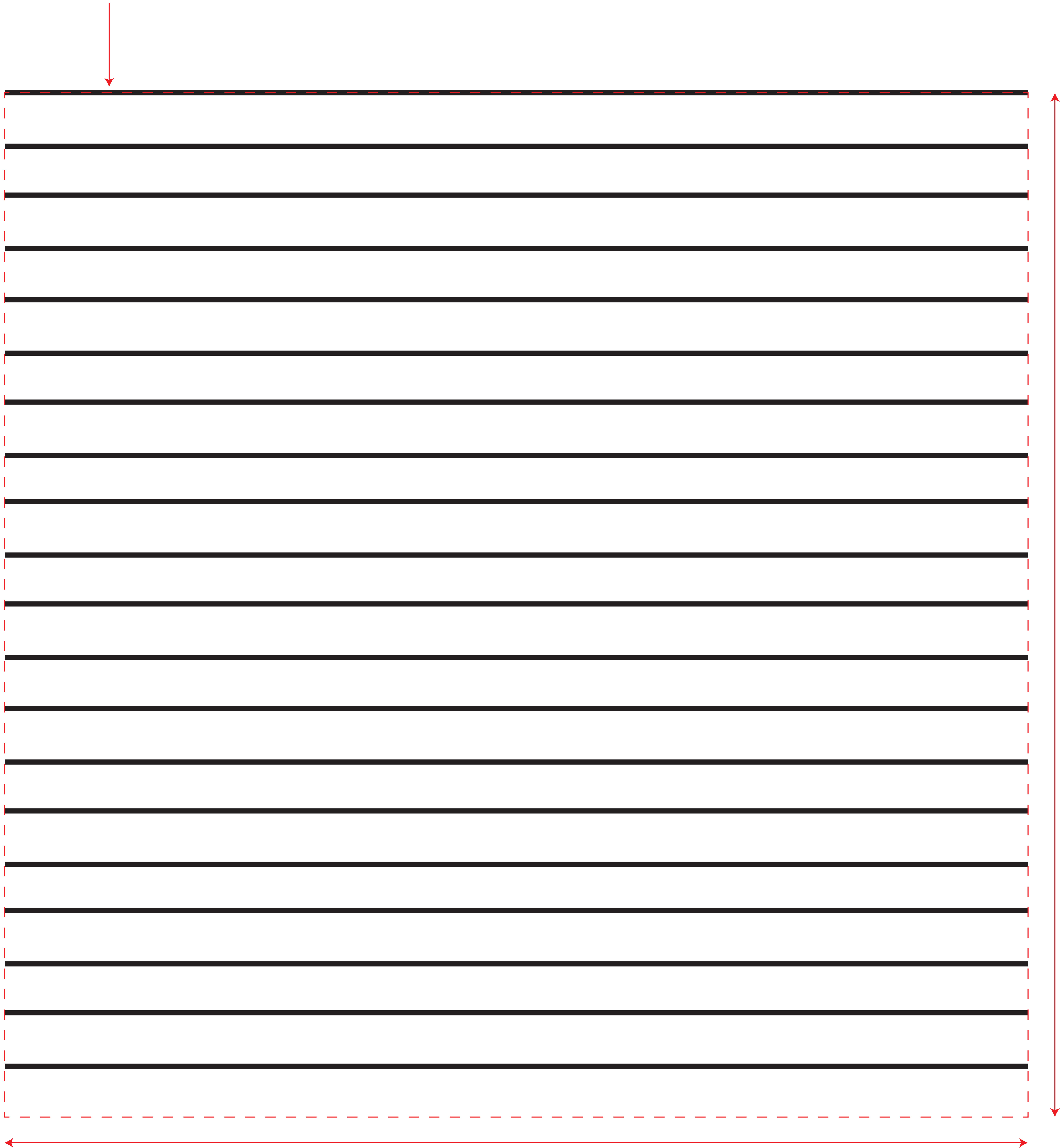
# Dots



# Lines

Line thickness 0.5 cm

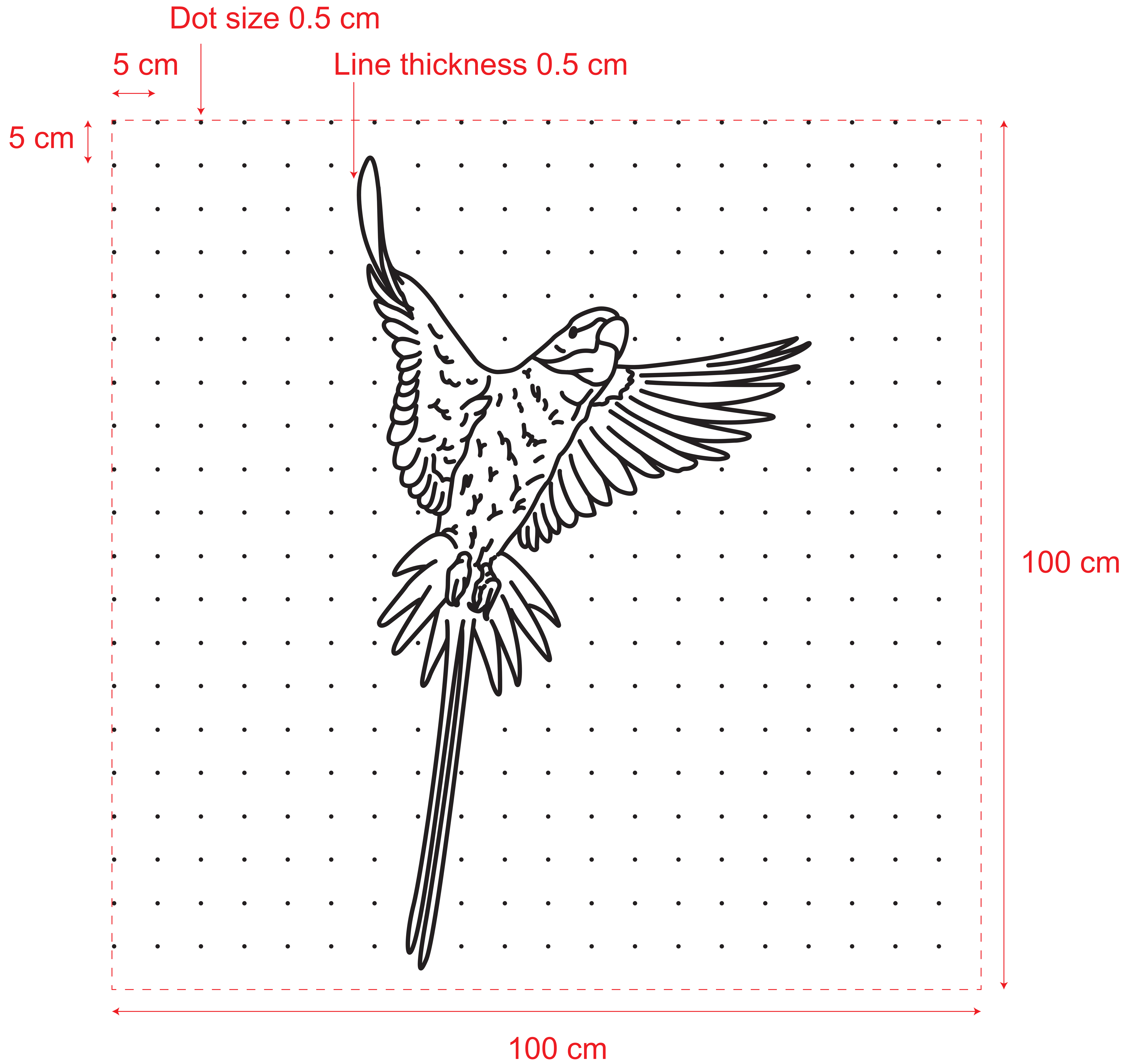
5 cm



100 cm

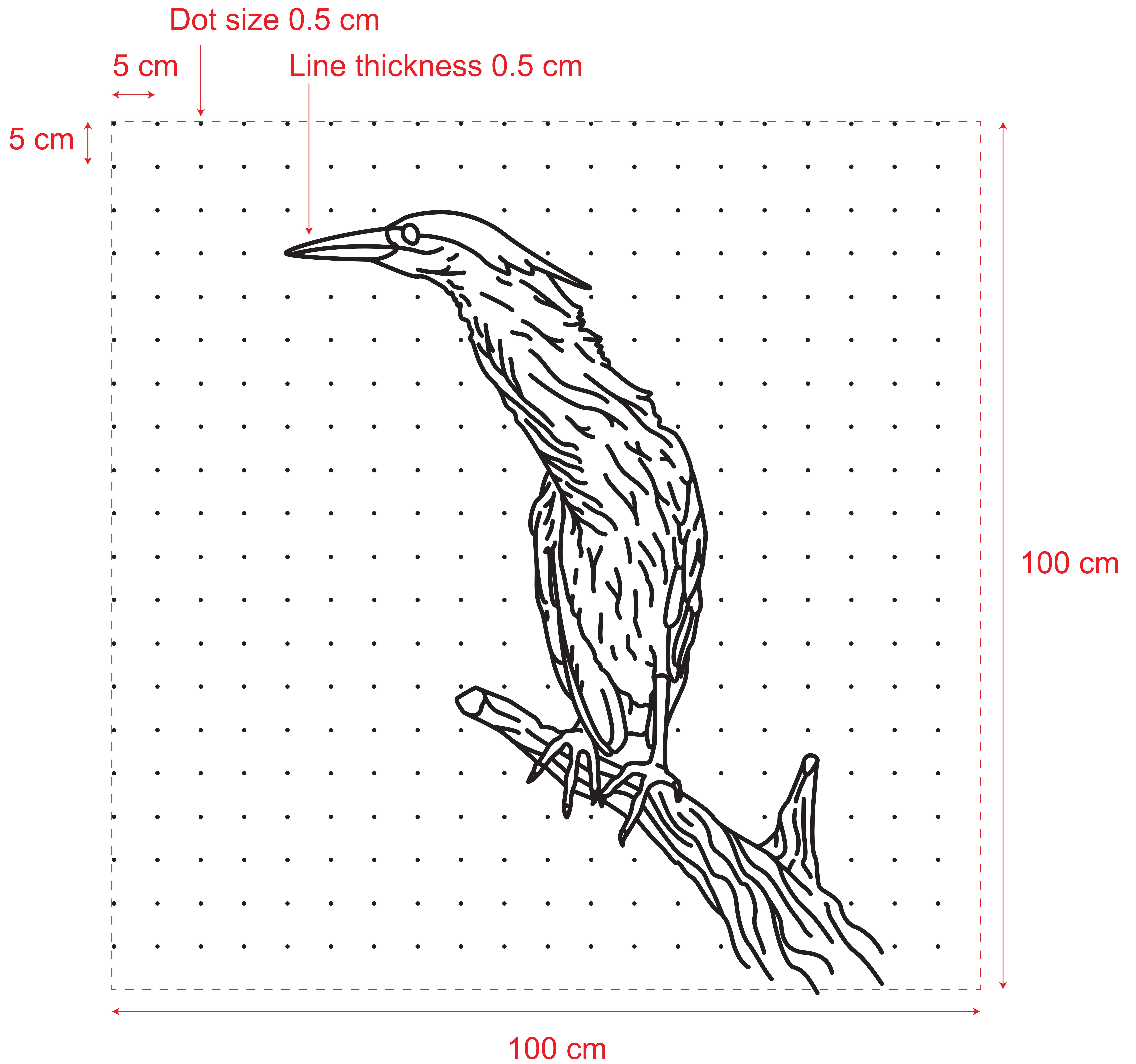
100 cm

# Graphic - Long-tailed Parakeet



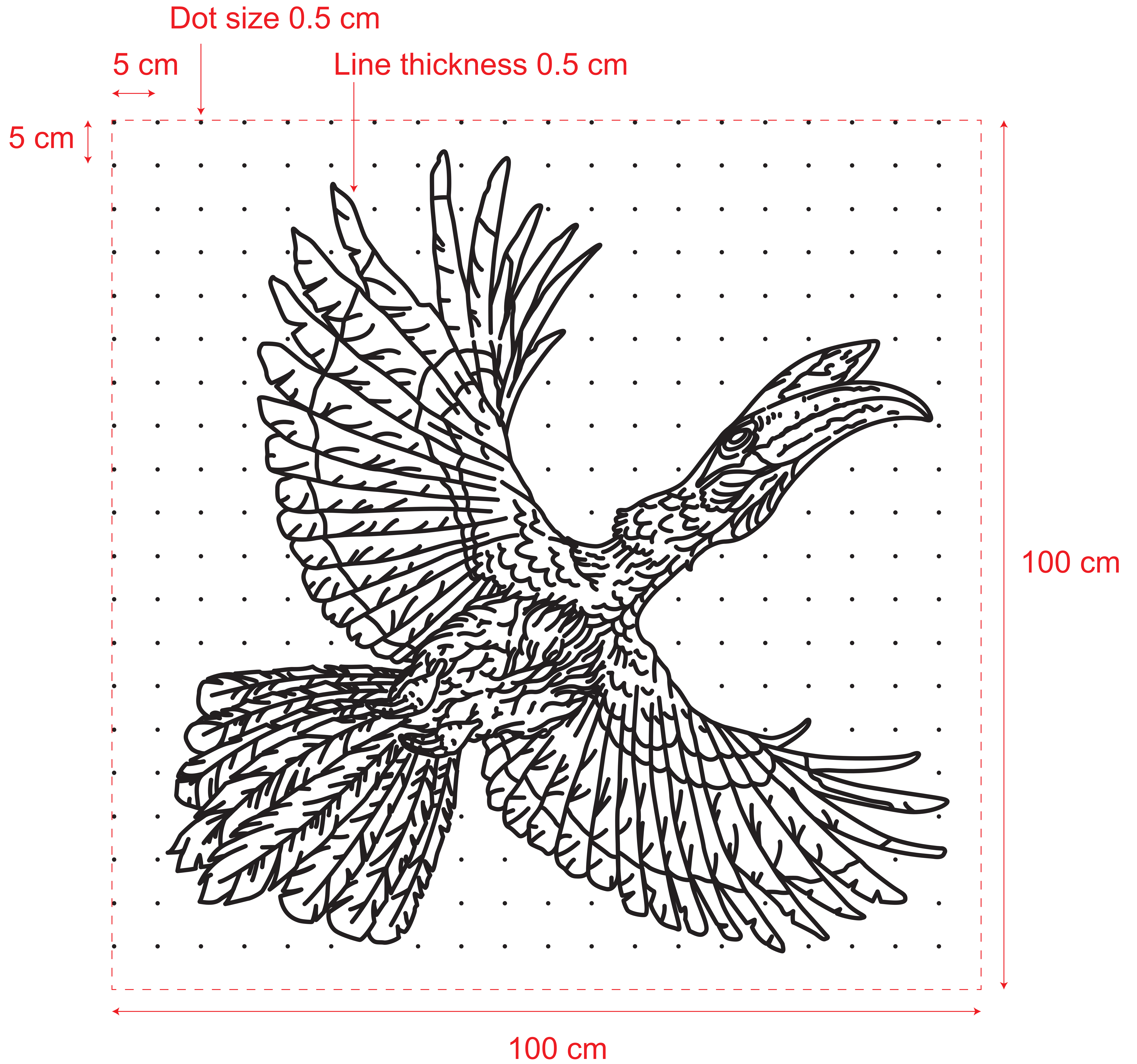


# Graphic - Striated Heron



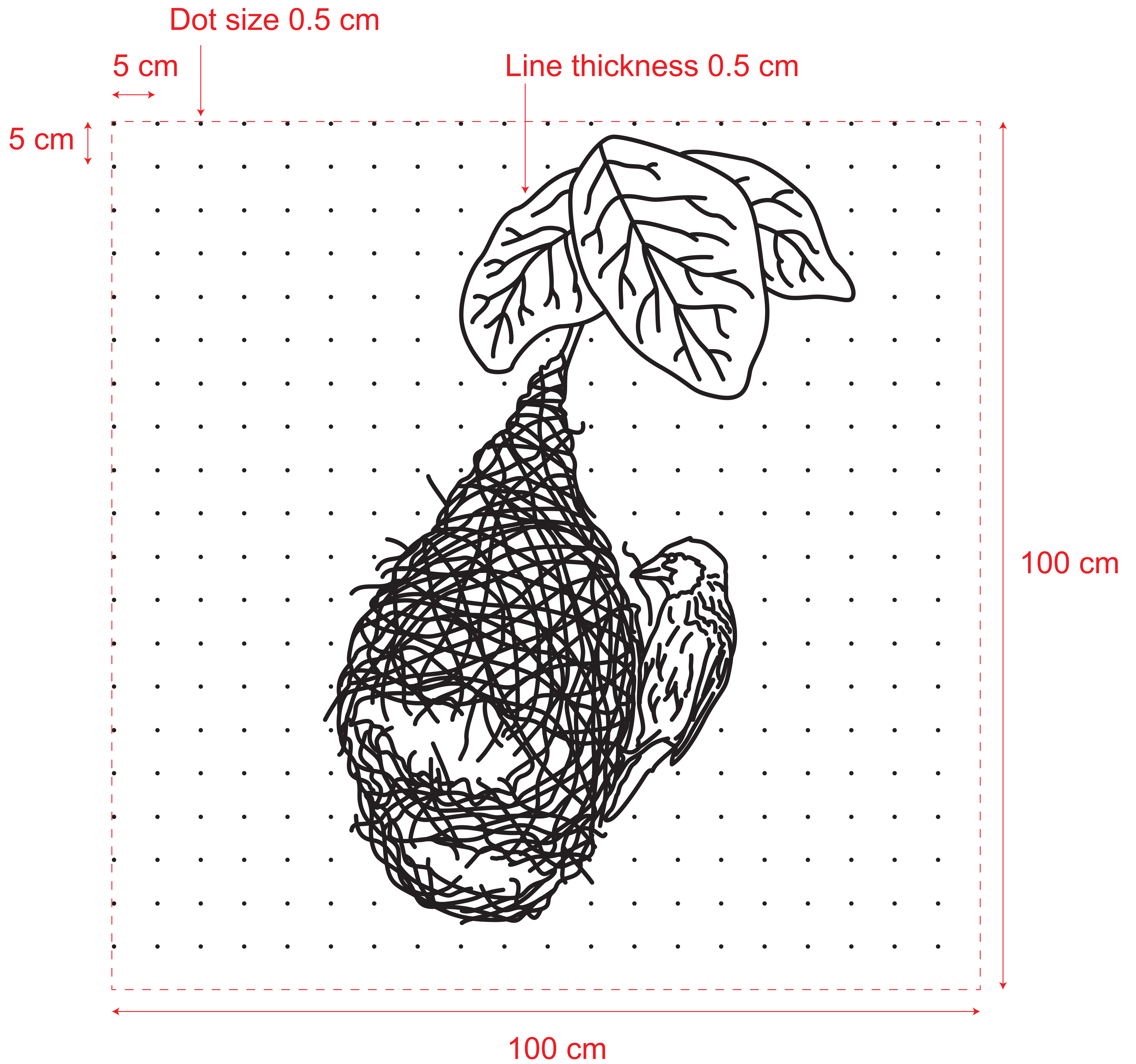


# Graphic - Oriental Pied Hornbill



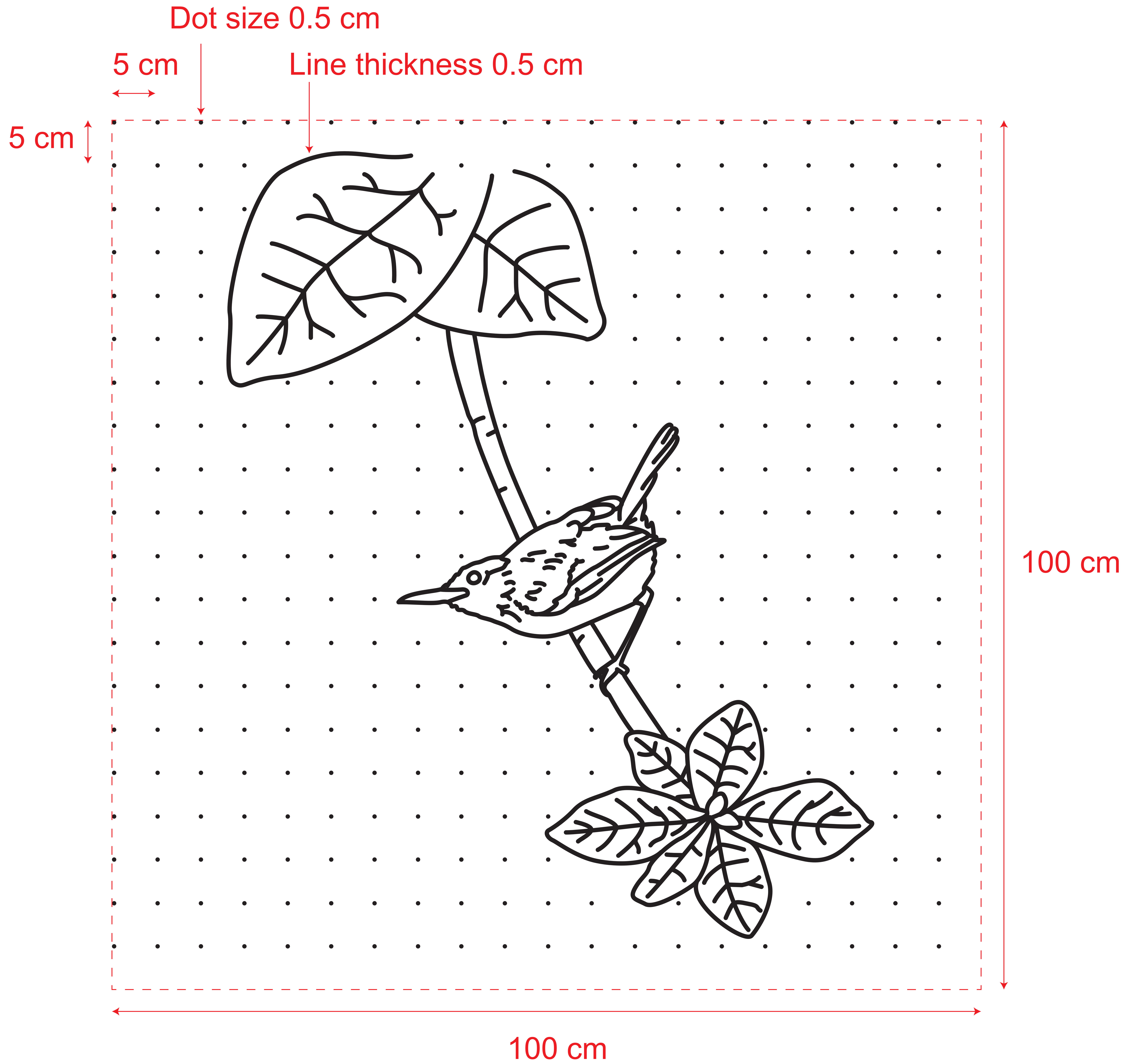


# Graphic - Baya Weaver



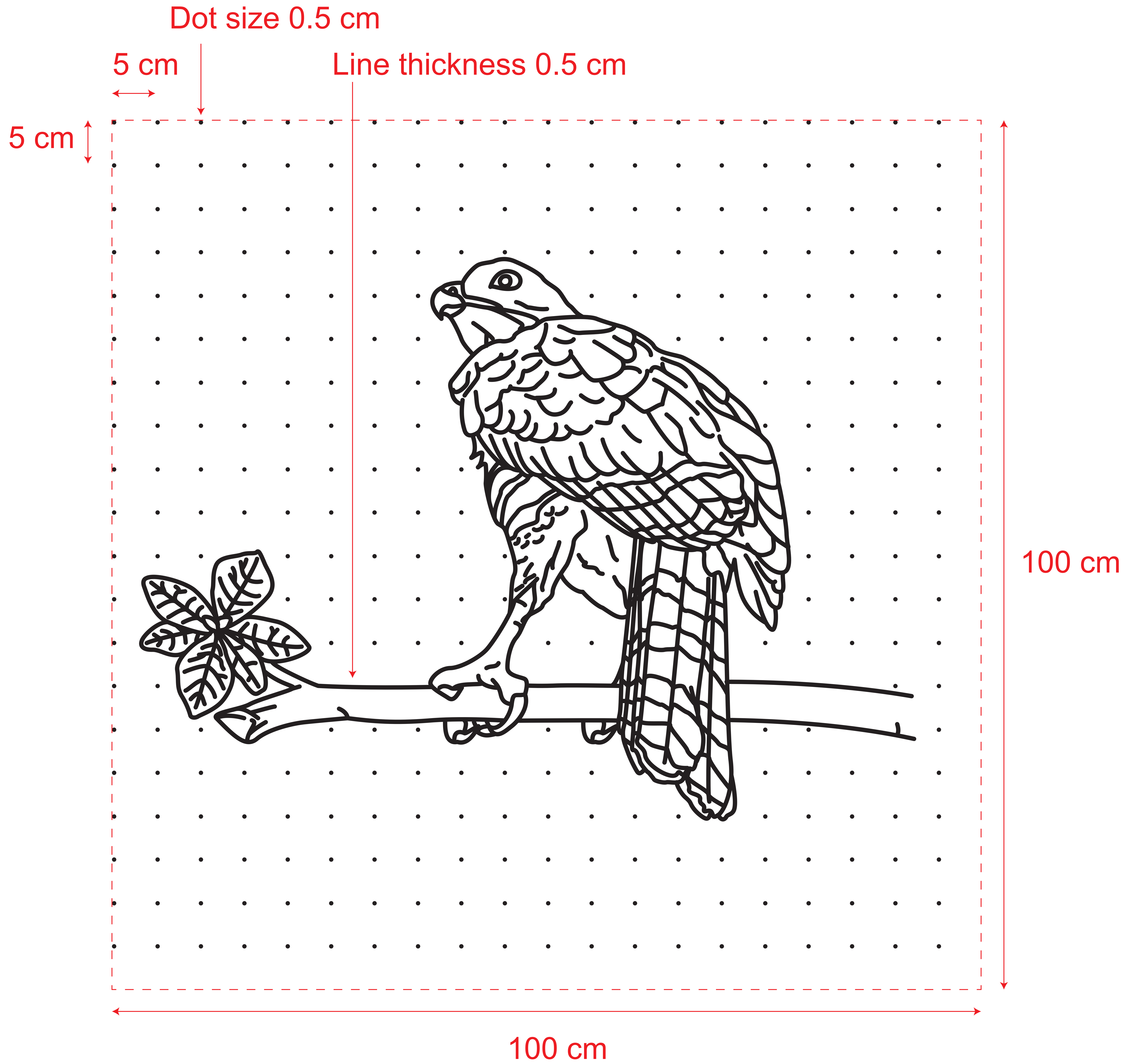


# Graphic - Dark-necked Tailorbird





# Graphic - Crested Goshawk





# Graphic - Kingfisher

